



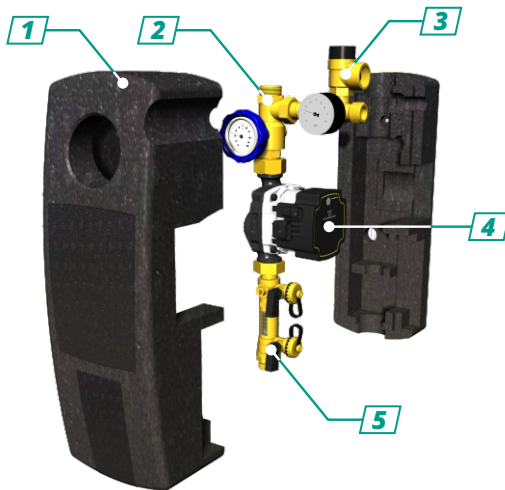
Energy-saving
Solar station

INDEX

GPS SINGLE PWM GRUNDFOS (without regulator and hanger) 400 001 409

The **GPS SINGLE PWM** is a solarstation equipped with an energy-efficient Grundfos UPM3 15-75 electronic pump. GPS SINGLE PWM ensures much lower electricity consumption than typical solarstations with asynchronous pumps. The station meets the requirements of Commission Regulation (EU) No 622/2012 regarding ecodesign requirements for circulation pumps.

The flow rate is controlled based on the collector flow temperature and the tank temperature. This solution ensures maximum energy output while ensuring long life of the solar collectors. The 3/4" threads enable quick assembly with stainless steel corrugated pipes.



- 1 Thermal insulation** (Casing),
- 2 cut-off ball valves** with built-in return valve and thermometer,
- 3 safety group** with a manometer and 6 bar safety valve,
- 4 Grundfos UPM3 15-75 circulation pump,**
- 5 rotameter** (2-12 l/min).



Pump	Grundfos UPM3 SOLAR 15-75
Voltage	1~230V, 50-60Hz
Power	6-45W
Current consumption	I_{max} 0,44A
Coefficient of performance	EEl \leq 0,20
Max. pressure	6 bar
Max. temperature	110°C
Dimensions (L x W x H)	460x210x185mm
Weight	3,7kg
Connections	ET 3/4"

Pump characteristics

